

LD42, LD42W & LD42A



Low Glare Miniature LED Recessed Wall Light

Data sheet - Page 1



Design: Sian Baxter Lighting Design Project: Private Residence Product: LD42A

LD42 is a miniature recessed LED wall light, ideal for discreet lighting of steps and pathways. It is a high quality fitting that can be used for interior or exterior applications, including yachts. Low glare is achieved by a recessed lens assembly set back into a black anodised body. Optional half moon glare shield and 20° tilt film further reduce glare.

Key Features

- Very minimal depth and bezel diameter
- High power for its size
- High efficiency optics specially designed for LightGraphix guarantee excellent beam spread and shape
- Recessed LED position for reduced glare
- Glass fixed with hidden gasket, so no unsightly glue line
- Optional glare shield (LD42W) and 20° tilt film (LD42A) options available
- Hidden fixing options include spring clips or O-rings and the /480 first fix sleeve
- For a 2.4W version please see our LD45 or LD46
- Not designed for permanent submersion, please use our LD242A, LD41, and LD60
- Available with Switch, 0-10V, DMX, Dali or Mains dimmable drivers

Specification

Applications



Beam Angles

12°, 31°, 48°, 36° x 12°

LED type

1 x Cree XPG2

Colour temperature

2700K* / 3000K

5000K

Drive Current (mA)

350

500

350

500

LED power** (W)

1.2W

1.7W

1.2W

1.7W

CRI (typical)

93

93

75

75

Forward voltage (V)₁₀₀

3.0V

3.2V

3.0V

3.2V

Delivered lumens (L₁₀₀)***

88

120

107

146

Lumens per circuit watt

73

71

89

86

LED lifetime (to 70% lumen maintenance)

50,000hrs at a max ambient temperature of 35°C (if specifying fitting in ambient temperatures of up to 45°C run at 350mA max, LD42-350)

Materials

Hard anodised aluminium body with machined stainless steel bezel

Glass

3.3mm thick borosilicate

Wiring

Comes Pre-wired with 2x 150mm single core lead, can be specified with up to 3m of single core cable at extra cost

IP rating

IP68 - Not for permanent submersion (for permanent submersion applications use LD242A)

*2700K lumen output is 12% lower than the 3000K figure listed

4000K lumen output is 14% higher than the 3000K figure listed (80 CRI)

**LED wattage includes losses associated with using an 85% efficient driver

***LD42A and LD42W lumen output will be 40% less due to the glare shield

LD42



LD42W, LD42A



LD42, LD42W & LD42A

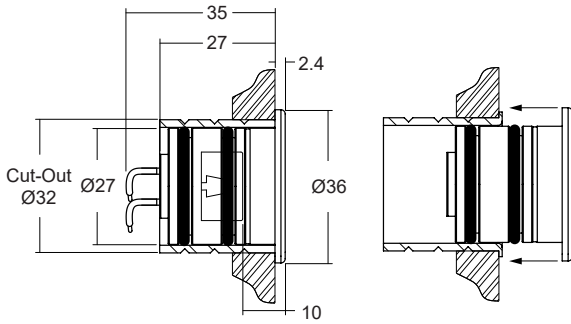


Low Glare Miniature LED Recessed Wall Light

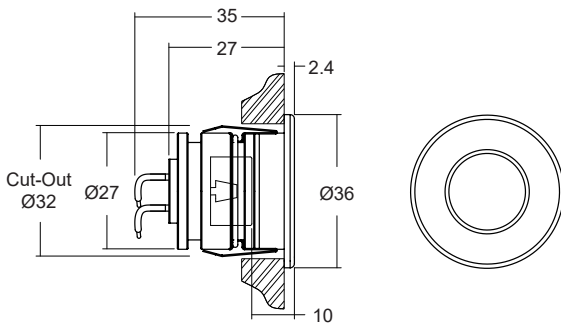
Data sheet - Page 2

Dimensions and fixing options

/480 - O-rings and sleeve. A more robust and water-tight method of fixing



/SC - Spring clip fixing



Design: Sian Baxter Lighting Design Project: Private Residence Product: LD42W

LD42, LD42W & LD42A



Low Glare Miniature LED Recessed Wall Light

Data sheet - Page 3

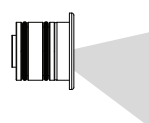
Body and light output options

LD42



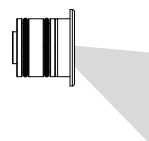
Circular aperture with lens and LED assembly recessed into the body by 10mm.

LD42W



Body has a machined half moon in front of the lens to reduce glare. Please note that the oval lens can not be used in this or the LD42A.

LD42A



Same as the LD42W but with an integral 20° refractor film which angles the light down onto the surface to be lit.

Photometrics

Photometric files are included in the design packs which can be downloaded from the LD42 and LD42A/LD42W product pages on the website.

Order Codes and Options

Product code	LED colour	Lens angle	Bezel finish	Fixing
LD42 -350 -500				

Example: LD42A-350 / LW30 / MB / Polished Stainless / 480

Product codes with output options

350mA 1.2W	LD42-350 LD42W-350 LD42A-350	500mA 1.7W	LD42-500 LD42W-500 LD42A-500
------------	------------------------------------	------------	------------------------------------

LED colour options

LED colour options	Suffix
Super Warm White (2200K)	/LW22
Extra warm white (2700K)	/LW27
Warm white (3000K)	/LW30
White (4000K) - on request	/LW40
Cool white (5000K)	/LW50
Blue	/LB
Green	/LG
Red	/LR
Amber	/LA

*Other LED colour temperatures are available. Please speak to a member of our sales team.

Beam / lens angle options

12° narrow spot	/NB
31° medium	/MB
48° wide	/WB
36° x 12° oval beam (only available with the LD42)	/OB

Bezel finish options

Stainless steel 316
 Polished and passivated stainless steel (for marine environments)
 Flamed solid bronze (antique finish)
 Paint finish silver / white / black / RAL (not suitable for high traffic areas)

*See our finishes guide for other options

Fixing options

Spring clips	/SC
First fix sleeve	/480

Use with 350mA or 500mA constant current LED drivers

We have a wide range of dimmable LED drivers, 0-10V, DMX, DALI and Mains dimmable. Please see the downloads section on our website:

To run 1-14 LD42-350 in series use a TXDEL350D (0-10V dimmable)

To run 1-14 LD42-500 in series use a TXDEL500D (0-10V dimmable)



LD42W with 31° medium beam installed 80mm from the floor